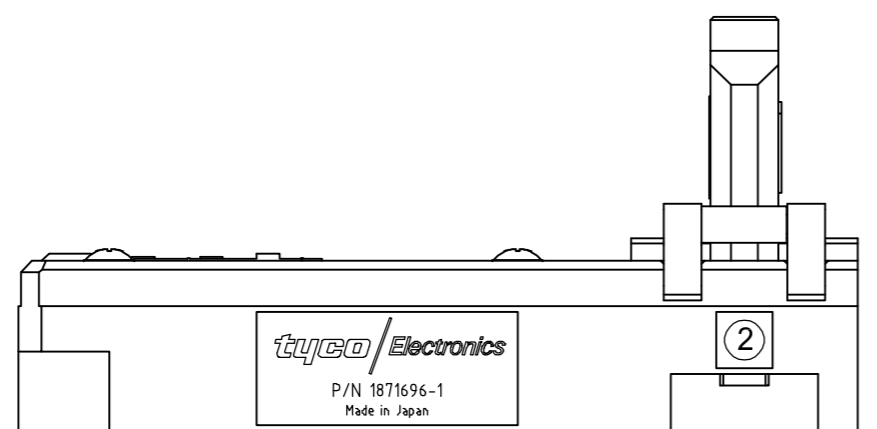
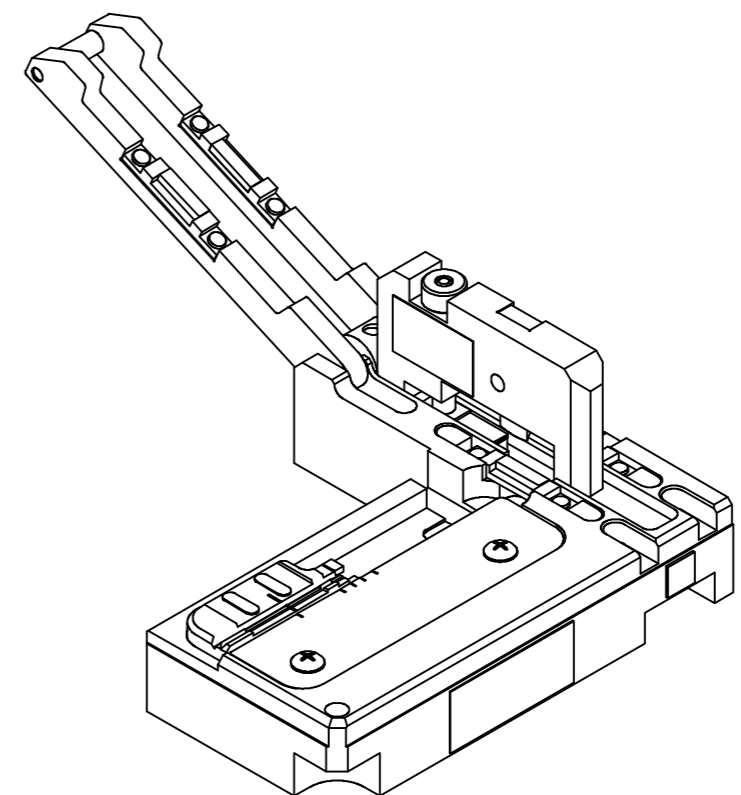
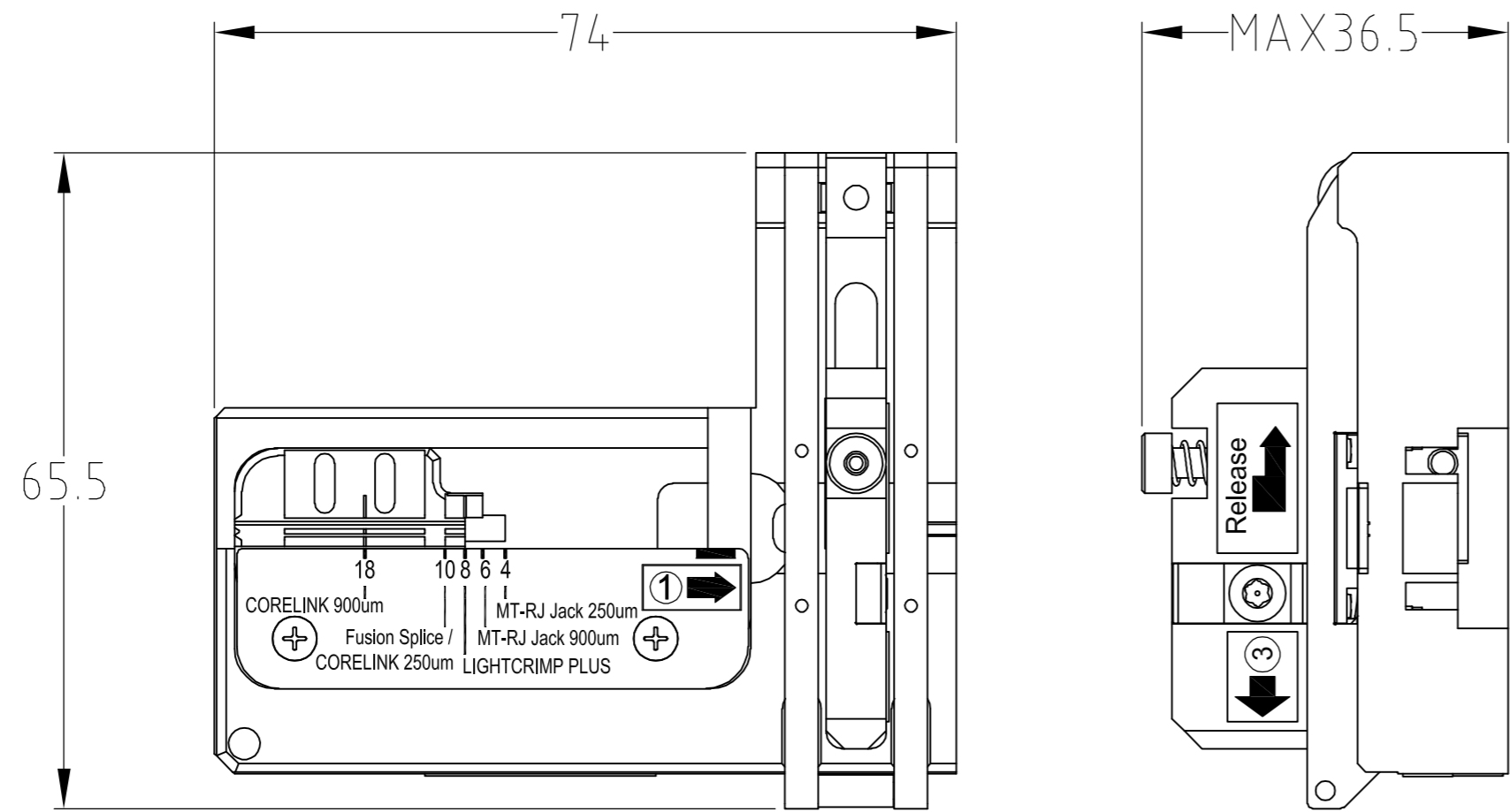


THIS DRAWING IS UNPUBLISHED. RELEASED FOR PUBLICATION JULY .7 .  
 © COPYRIGHT 2005 BY TYCO ELECTRONICS CORPORATION. ALL RIGHTS RESERVED.

LOC	DIST	REVISIONS			
P	LTR	DESCRIPTION	DATE	DWN	APVD
	B1	REVISE ECR-06-013704	14JUNE06	S.K	T.H
	C	REVISE ECR-06-022150	26SEP06	S.K	T.H
	D	REVISE ECR-07-005111	8MAR07	S.K	T.H



SHOWN: -1

- 1. ATTACHED A FABRIC BAG AND A STRAP
- 2. WEIGHT OF -1: 152g

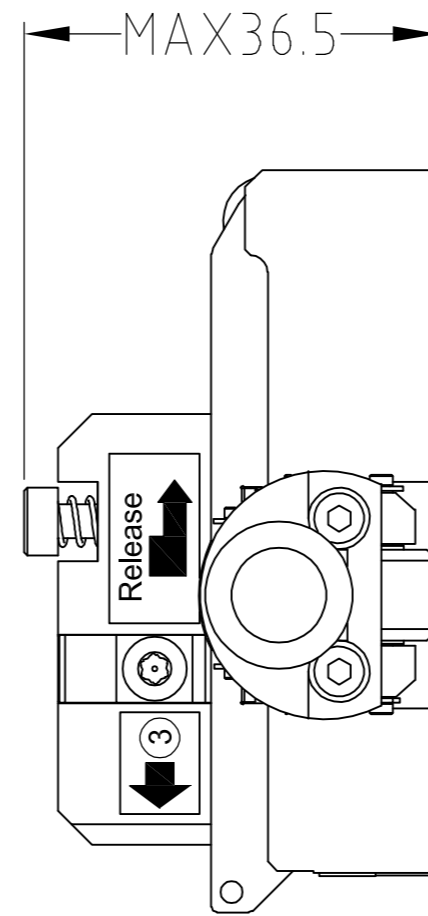
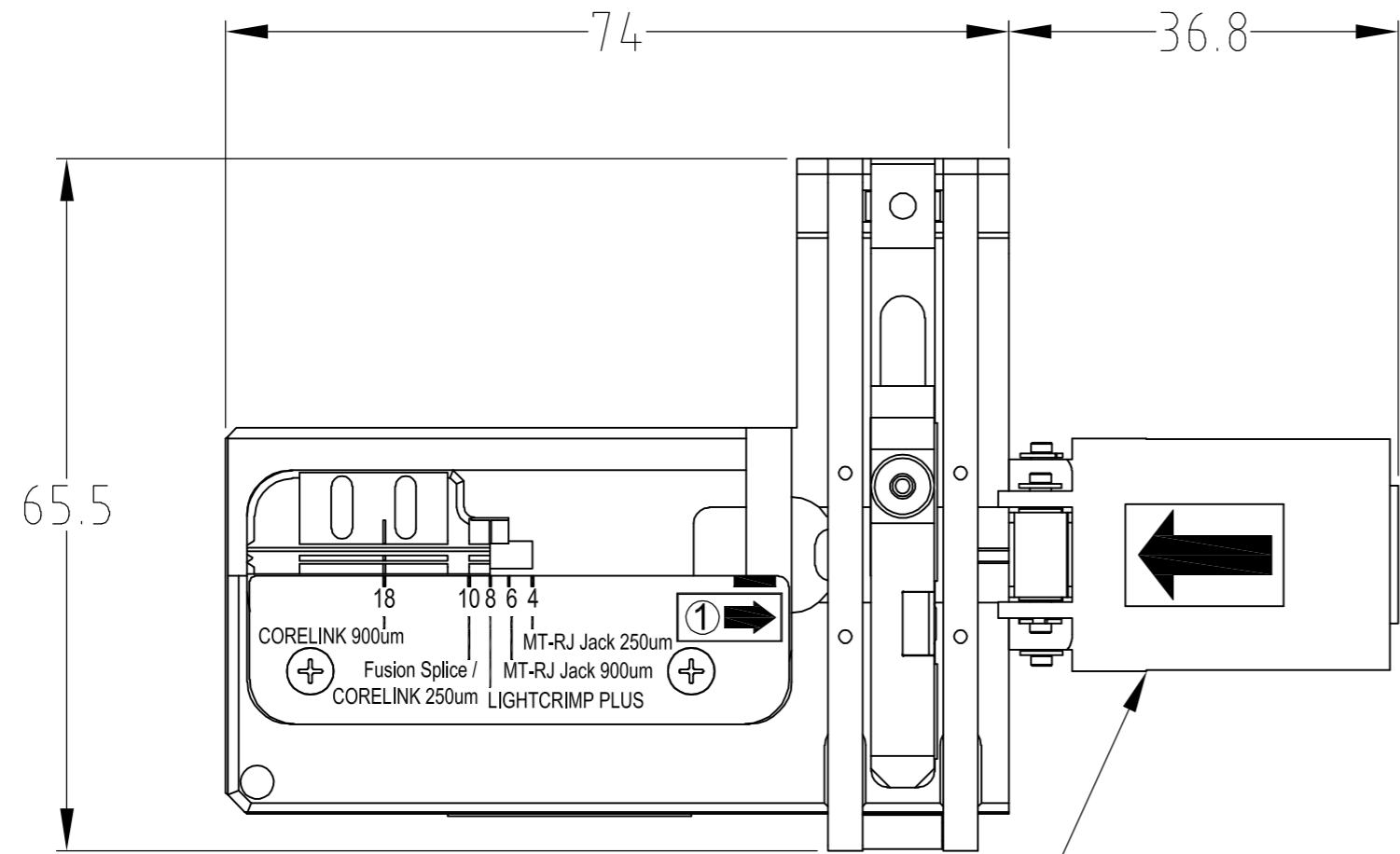
DESCRIPTION	PART NO
FIBER CLEAVER, 8mm MARK	1871696-4
FIBER CLEAVER JACKETED CABLE	1871696-3
FIBER CLEAVER WITH FIBER SCRAP BOX	1871696-2
FIBER CLEAVER	1871696-1

THIS DRAWING IS A CONTROLLED DOCUMENT.		DWN S.KOBAYASHI 07JUL05	Tyco Electronics AMP K.K. Kawasaki, Japan	
DIMENSIONS: mm		CHK T.HAYASHI 07JUL05		
TOLERANCES UNLESS OTHERWISE SPECIFIED:		APVD T.HAYASHI 07JUL05	NAME FIBER CLEAVER	
0 PLC ±		PRODUCT SPEC	SIZE A2	
1 PLC ±		APPLICATION SPEC	CAGE CODE 00779	DRAWING NO C=1871696
2 PLC ±		WEIGHT	RESTRICTED TO	
3 PLC ±		FINISH	SCALE NTS SHEET 1 OF 4 REV D	
4 PLC ±		CUSTOMER DRAWING		
ANGLES ±				

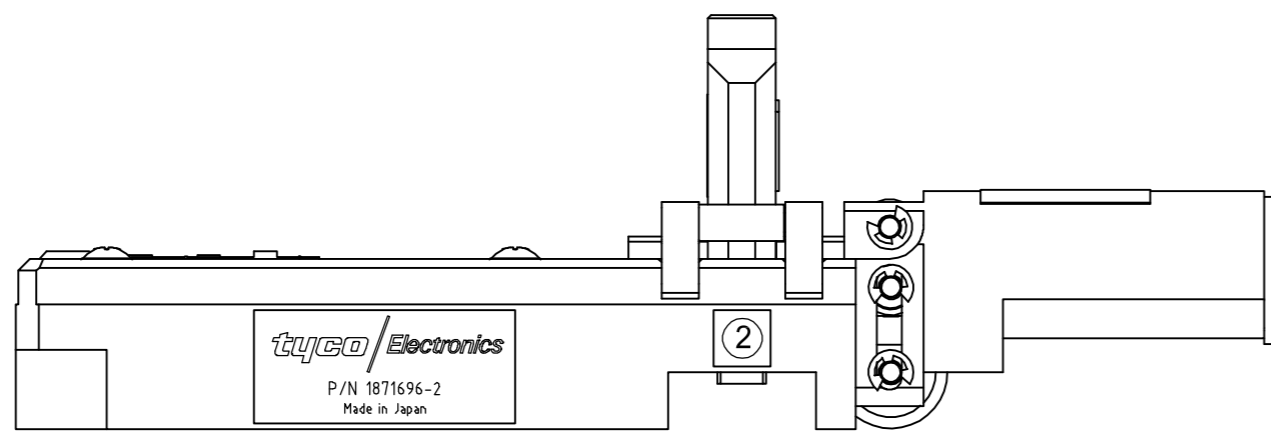
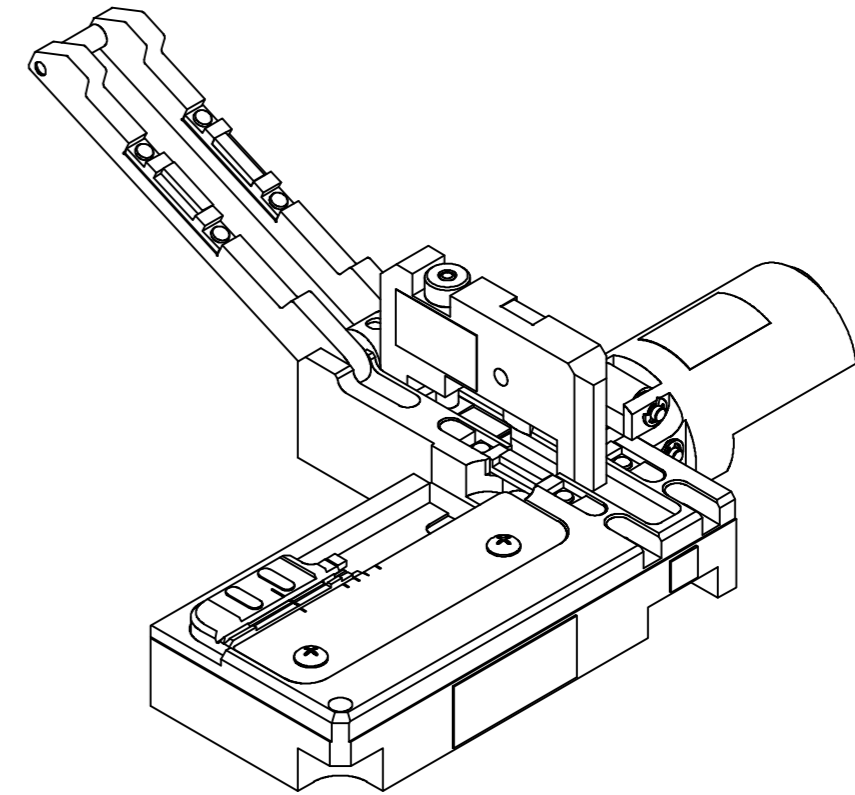
THIS DRAWING IS UNPUBLISHED. RELEASED FOR PUBLICATION JULY .7 .  
 © COPYRIGHT 2005 BY TYCO ELECTRONICS CORPORATION. ALL RIGHTS RESERVED.

LOC	DIST	REVISIONS			
P	LTR	DESCRIPTION	DATE	DWN	APVD
J		SEE SHEET 1			

SHOWN: -2



FIBER SCRAP BOX



1871696

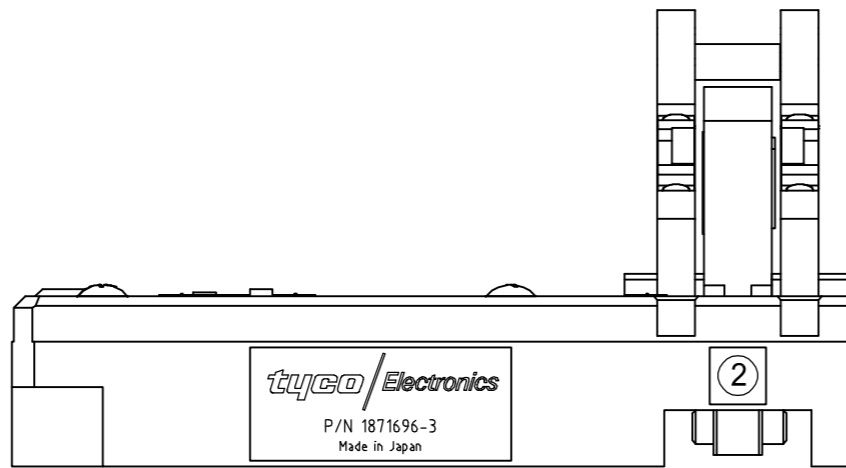
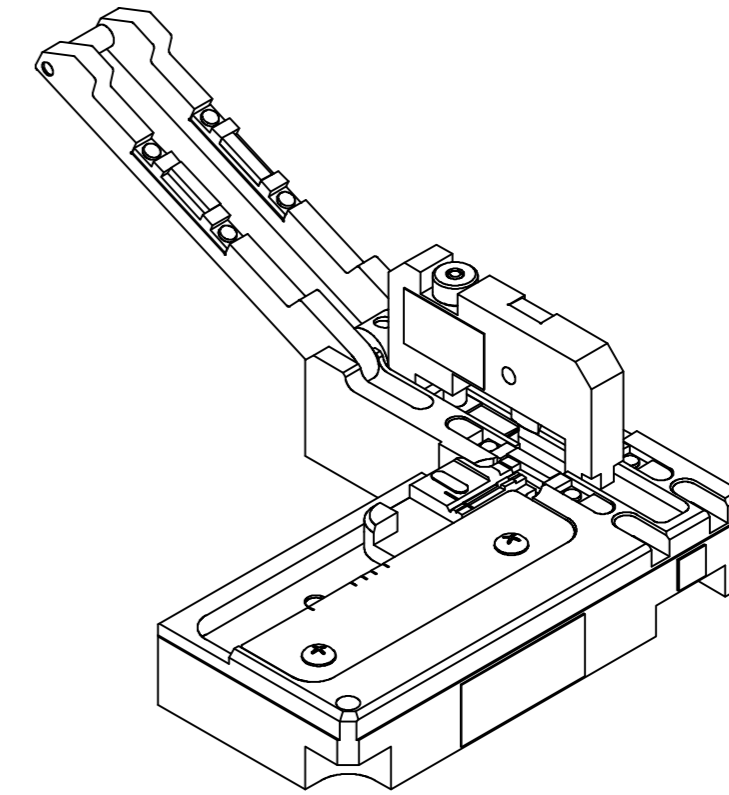
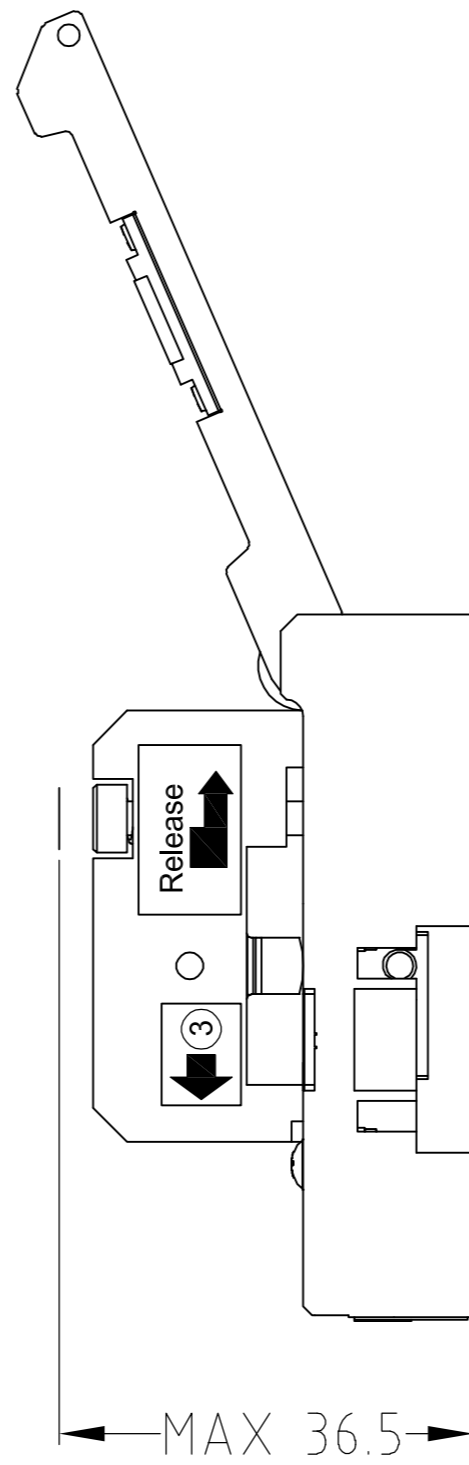
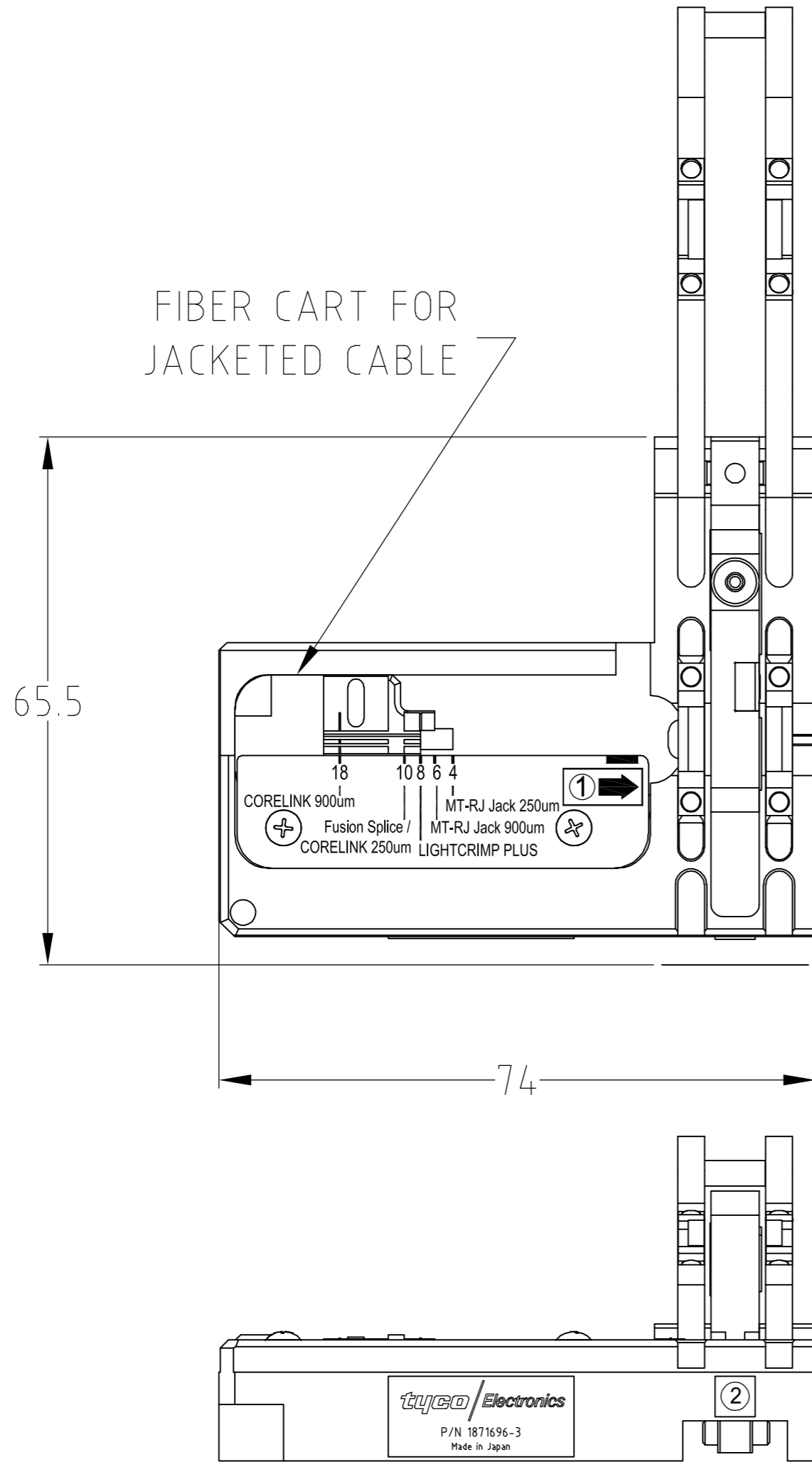
THIS DRAWING IS A CONTROLLED DOCUMENT.		DWN S.KOBAYASHI 07JUL05	<b>tyco Electronics</b> Tyco Electronics AMP K.K. Kawasaki, Japan	
DIMENSIONS: mm		CHK T.HAYASHI 07JUL05	NAME FIBER CLEAVER	
TOLERANCES UNLESS OTHERWISE SPECIFIED:		APVD T.HAYASHI 07JUL05	PRODUCT SPEC	
0 PLC ±		APPLICATION SPEC		
1 PLC ±		WEIGHT		
2 PLC ±		SIZE A2 CAGE CODE 00779 DRAWING NO C=1871696 RESTRICTED TO		
3 PLC ±		SCALE NTS SHEET 2 OF 4 REV D		
4 PLC ±		CUSTOMER DRAWING		
ANGLES ±				
FINISH				

THIS DRAWING IS UNPUBLISHED. RELEASED FOR PUBLICATION JULY .7 .  
 © COPYRIGHT 2005 BY TYCO ELECTRONICS CORPORATION. ALL RIGHTS RESERVED.

LOC		DIST		REVISIONS			
P	LTR	DESCRIPTION	DATE	DWN	APVD		
		SEE SHEET 1					

SHOWN: -3

FIBER CART FOR JACKETED CABLE

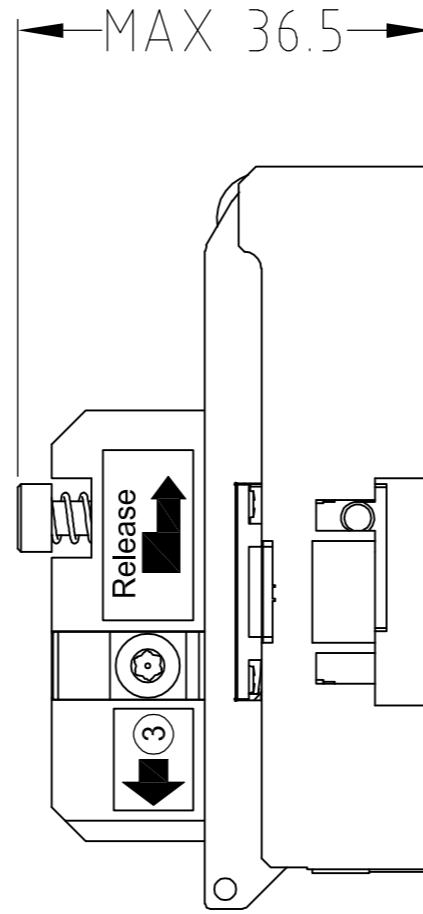
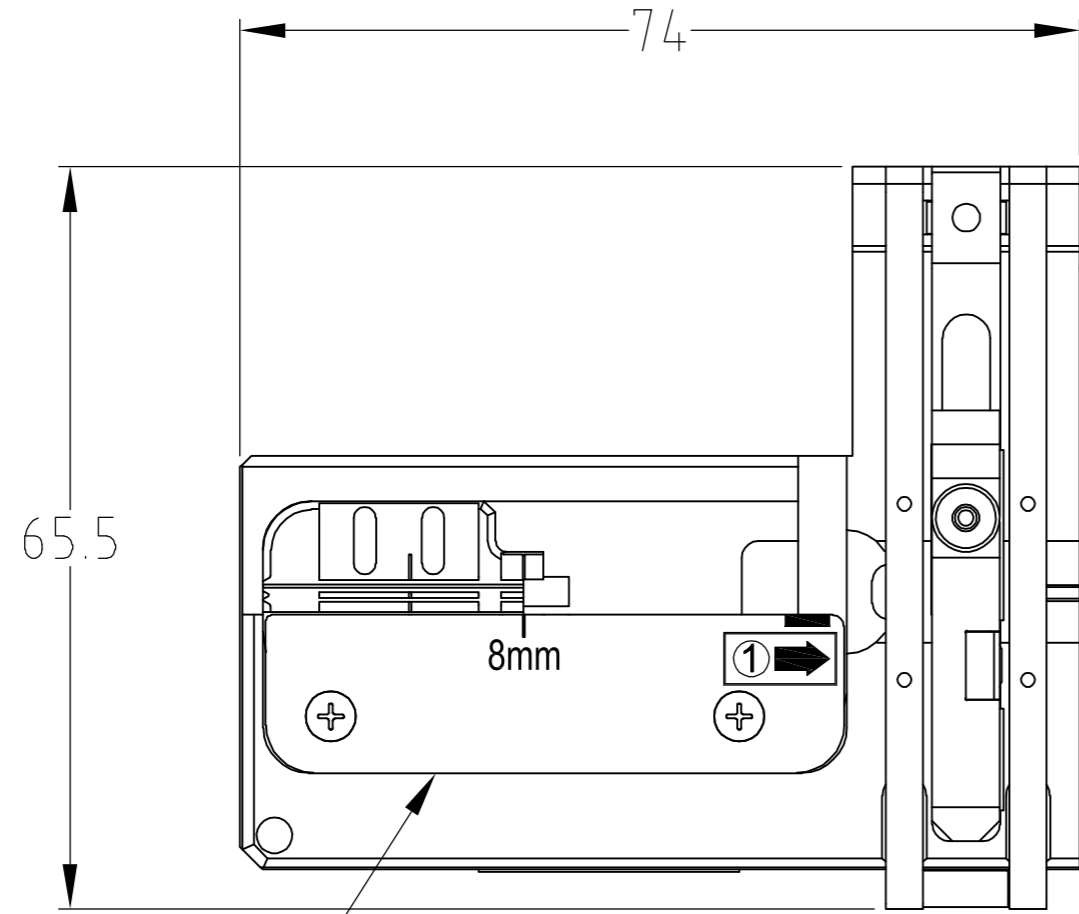


THIS DRAWING IS A CONTROLLED DOCUMENT.		DWN S.KOBAYASHI 07JUL05	<b>tyco</b> Tyco Electronics AMP K.K.	
DIMENSIONS: mm		CHK T.HAYASHI 07JUL05	<b>Electronics</b> Kawasaki, Japan	
TOLERANCES UNLESS OTHERWISE SPECIFIED:		APVD T.HAYASHI 07JUL05	NAME FIBER CLEAVER	
0 PLC ±		PRODUCT SPEC	SIZE A2 CAGE CODE 00779 DRAWING NO C=1871696 RESTRICTED TO	
1 PLC ±		APPLICATION SPEC	SCALE NTS SHEET 3 OF 4 REV D	
2 PLC ±		WEIGHT		
3 PLC ±		CUSTOMER DRAWING		
4 PLC ±				
ANGLES ±				
FINISH				

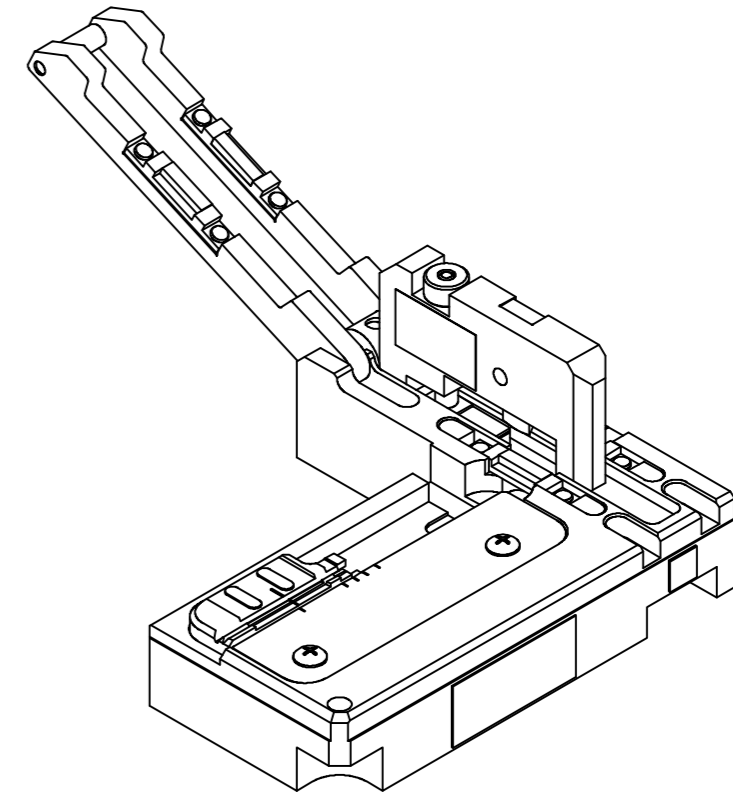
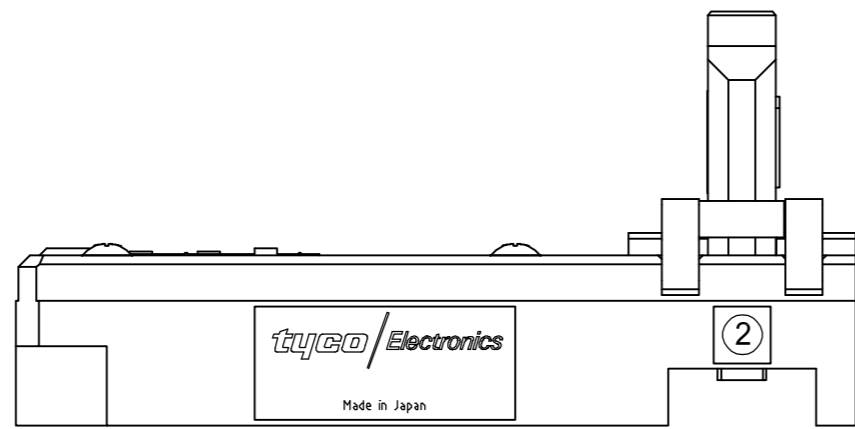
THIS DRAWING IS UNPUBLISHED. RELEASED FOR PUBLICATION JULY .7 .  
 © COPYRIGHT 2005 BY TYCO ELECTRONICS CORPORATION. ALL RIGHTS RESERVED.

LOC		DIST		REVISIONS			
P	LTR	DESCRIPTION	DATE	DWN	APVD		
		SEE SHEET 1					

SHOWN: -4



8mm MARK SCALE PLATE



THIS DRAWING IS A CONTROLLED DOCUMENT.		DWN	S.KOBAYASHI	07JUL05	 Tyco Electronics AMP K.K. Kawasaki, Japan													
DIMENSIONS:		CHK	T.HAYASHI	07JUL05														
mm	TOLERANCES UNLESS OTHERWISE SPECIFIED:	APVD	T.HAYASHI	07JUL05														
<table border="1"> <tr><td>0 PLC</td><td>±</td></tr> <tr><td>1 PLC</td><td>±</td></tr> <tr><td>2 PLC</td><td>±</td></tr> <tr><td>3 PLC</td><td>±</td></tr> <tr><td>4 PLC</td><td>±</td></tr> <tr><td>ANGLES</td><td>±</td></tr> <tr><td>FINISH</td><td></td></tr> </table>	0 PLC	±	1 PLC	±		2 PLC	±	3 PLC	±	4 PLC	±	ANGLES	±	FINISH		NAME	FIBER CLEAVER	
0 PLC	±																	
1 PLC	±																	
2 PLC	±																	
3 PLC	±																	
4 PLC	±																	
ANGLES	±																	
FINISH																		
MATERIAL	FINISH	WEIGHT	SIZE	CAGE CODE	DRAWING NO	RESTRICTED TO												
			A2	00779	C=1871696													
CUSTOMER DRAWING			SCALE	NTS	SHEET	4 OF 4												
					REV	D												